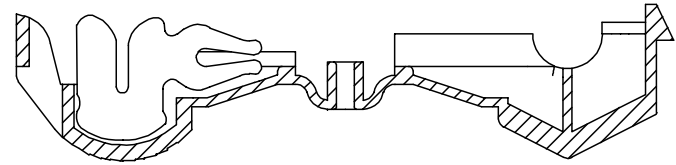
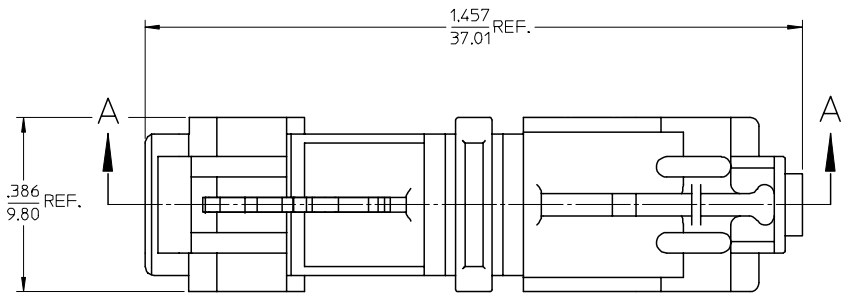
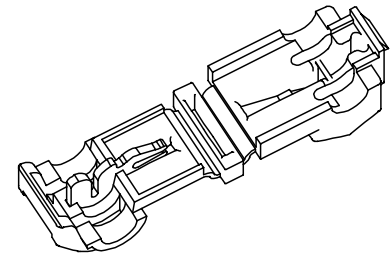
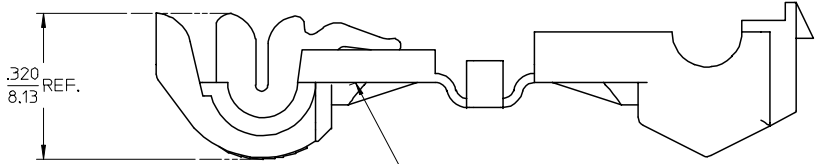


12 11 10 9 8 7 6 5 4 3 2 19216

ASSEMBLY MATERIAL NO.	ASSEMBLY ENG. NO.	WIRE RANGE MARKING (XXXXX)	HOUSING COLOR
192160017	WTB-1814	18-14 AWG	BLUE
192160018	WTB-22-18	22-18 AWG	RED
192160019	WTB-12	12 AWG	YELLOW



SECTION A-A



INSERT TO BE FULLY SEATED AGAINST FLOOR

SALES DRAWING

RELEASE TO W/MANAGER EC NO: ETC2004-0058 DRWN: DMYRICK 2003/09/05 CHKD: RWD 2003/09/05 APPR: RDEROSS 2003/09/08	QUALITY SYMBOLS ▽-0 ◻-0	GENERAL TOLERANCES (UNLESS SPECIFIED)		SCALE 5:1	DESIGN UNITS INCH	THIRD ANGLE PROJECTION	REVISE ON CAD ONLY	
			mm	INCH	DIMENSION STYLE IN/MM		TITLE	
		4 PLACES	± ---	± ---	DRAWN BY DLM	DATE 03/06/26	WIRE TAP TERMINAL ASSEMBLY MOLEX INCORPORATED	
		3 PLACES	± ---	± ---	CHECKED BY RWD	DATE 03/06/26		
2 PLACES	± ---	± ---	ANGULAR ±1/2°		APPROVED BY RWD	DATE 03/06/26	MATERIAL NO. (SEE CHART)	
1 PLACE	± ---	± ---	DRAFT WHERE APPLICABLE MUST REMAIN WITHIN DIMENSIONS		DATE 03/06/26	DOCUMENT NO. SD-19216-007	SHEET NO. 1 OF 1	
THIS DRAWING CONTAINS INFORMATION THAT IS PROPRIETARY TO MOLEX INCORPORATED AND SHOULD NOT BE USED WITHOUT WRITTEN PERMISSION								

11 10 9 8 7 6 5 4 3 2 1